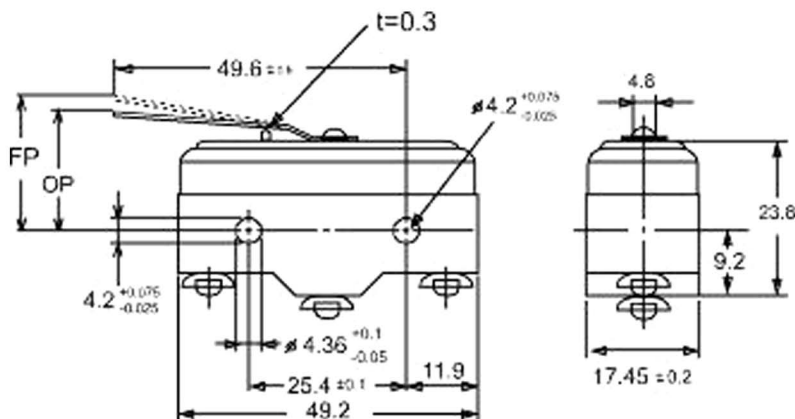


Z-15GL



Features :

General Standard

Specifications:

Operating Frequency: 0.01mm-1m/sec

Rated Voltage/Current: 15/600VAC(UL file 240199)

Service Life: Mechanically 1×10^7 (operations)
Electrically 5×10^5 (operations)

Operating Temperature: about $-25 \sim +80$ ($-4 \sim +176$)

Humidity: <95%RH

Degree of protection: IP00/IP63

Dielectric Strength:

1000VAC for 1 min between current carrying parts
2500VAC for 1 min between non-current carrying parts

Operating Characteristics

- | | | |
|---------------------------|---------------------------|-----------------|
| • OF _{max} 1.47N | • OT _{min} 1.6mm | • FP 20.6mm |
| • RF _{min} 0.14N | • MD _{max} 1.3mm | • OP 17.4±0.8mm |
| • PT _{max} 4mm | | |